

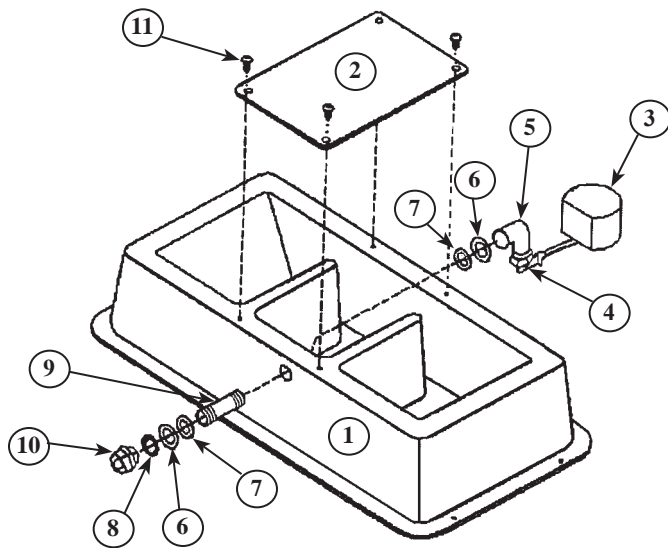


TROJAN SPECIALTY PRODUCTS

INSTALLATION INSTRUCTIONS 272-P WATERER Part #: 16436

Thank you for purchasing the Trojan 272P. To prepare this waterer for use, please refer to the drawing and instructions below.

1. Remove the top cover #2 from the waterer.
2. Line up the parts as shown in the drawing.
3. Apply Teflon tape, or pipe dope to the threads on the threaded pipe #9
4. Assemble the internal parts #3, #4, #5, #6 #7 to the threaded pipe #9
5. Insert the pipe #9 through the hole in the base #1 and add external parts #7, #6, #8, and #10
6. Attach a garden hose to the adapter #10
7. Adjust the float to set the valve shut-off at the desired water level by adjusting the connection between the float and valve. Use the wing nut to change the float level. (Note: the float arm is at the bottom of the float)
8. After the water fill level has been set, install the cover #2



Item	Part #	Description
1	17144	Base
2	17143	Cover
3	11916	3 1/4" Plastic Float
4	12575	1/2 " Red Valve Assembly
5	17311	1/2" L Fitting
6	15055	1 3/8" Washer
7	14475	3/4" Neoprene Washer
8	14140	1/2' Conduit Nut
9	17145	1/2" x 2 3/4" Threaded Pipe
10	17314	Hose Adapter
11	11903	Screws

WARRANTY FOR TROJAN SPECIALTY PRODUCTS

TROJAN SPECIALTY PRODUCTS, warrants product to be free of defective materials and workmanship. Defective part(s) will be repaired or replaced, at the option of TROJAN SPECIALTY PRODUCTS. This warranty specifically excludes all labor and shipping charges.

This warranty does not apply to any appearance items, to any product whose exterior has been damaged or defaced, to any product subjected to misuse, abnormal service or handling, and to any products altered or repaired with other than original equipment manufacturers parts. The period of warranty begins at original date of purchase and extends for one year.

All warranty claims must be processed thru TROJAN SPECIALTY PRODUCTS.

Beck Sales Company, Inc. 'dba' TROJAN SPECIALTY PRODUCTS
 10860 U.S. Hwy 50 — P.O.Box 1735 — Dodge City, Ks 67801
 Toll Free: 800-279-1770 — Phone: 620-225-1770 — FAX: 620-225-6521
 E-mail: info@becksales.net — Web: www.trojanlivestock.com