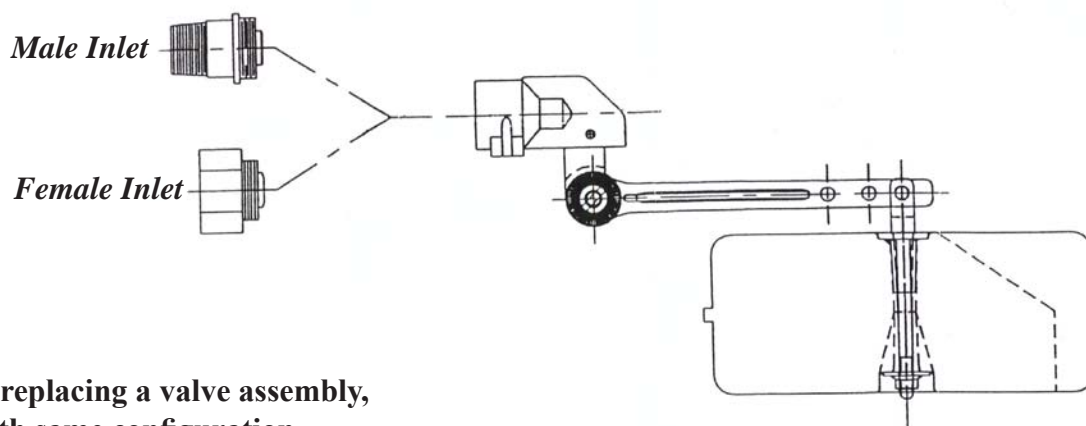
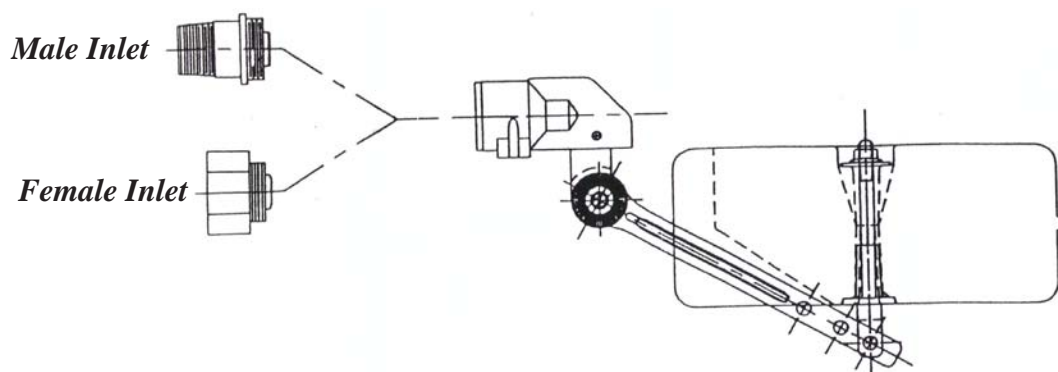




TROJAN SPECIALTY PRODUCTS

INSTALLATION INSTRUCTIONS

TROJAN STOCK TANK VALVE VALVE ASSEMBLY



NOTE:

- 1. If you are replacing a valve assembly,
replace with same configuration.**
- 2. If you are replacing a different brand valve,
place in best configuration**

WARRANTY FOR TROJAN SPECIALTY PRODUCTS

TROJAN SPECIALTY PRODUCTS, warrants product to be free of defective materials and workmanship. Defective part(s) will be repaired or replaced, at the option of TROJAN SPECIALTY PRODUCTS. This warranty specifically excludes all labor and shipping charges.

This warranty does not apply to any appearance items, to any product whose exterior has been damaged or defaced, to any product subjected to misuse, abnormal service or handling, and to any products altered or repaired with other than original equipment manufacturers parts. The period of warranty begins at original date of purchase and extends for one year.

All warranty claims must be processed thru TROJAN SPECIALTY PRODUCTS.

Beck Sales Company, Inc. 'dba' TROJAN SPECIALTY PRODUCTS
10860 U.S. Hwy 50 — P.O.Box 1735 — Dodge City, Ks 67801
Toll Free: 800-279-1770 — Phone: 620-225-1770 — FAX: 620-225-6521
E-mail: info@becksales.net — Web: www.trojanlivestock.com